

# Nokia Network Routing Specialist (4A0-C01)

1. Which of the following statements regarding OSPF routing updates on a multi-access network segment is true?

A. In multi-access networks, a DR and BDR are elected only if there are more than two routers connected to the network segment.

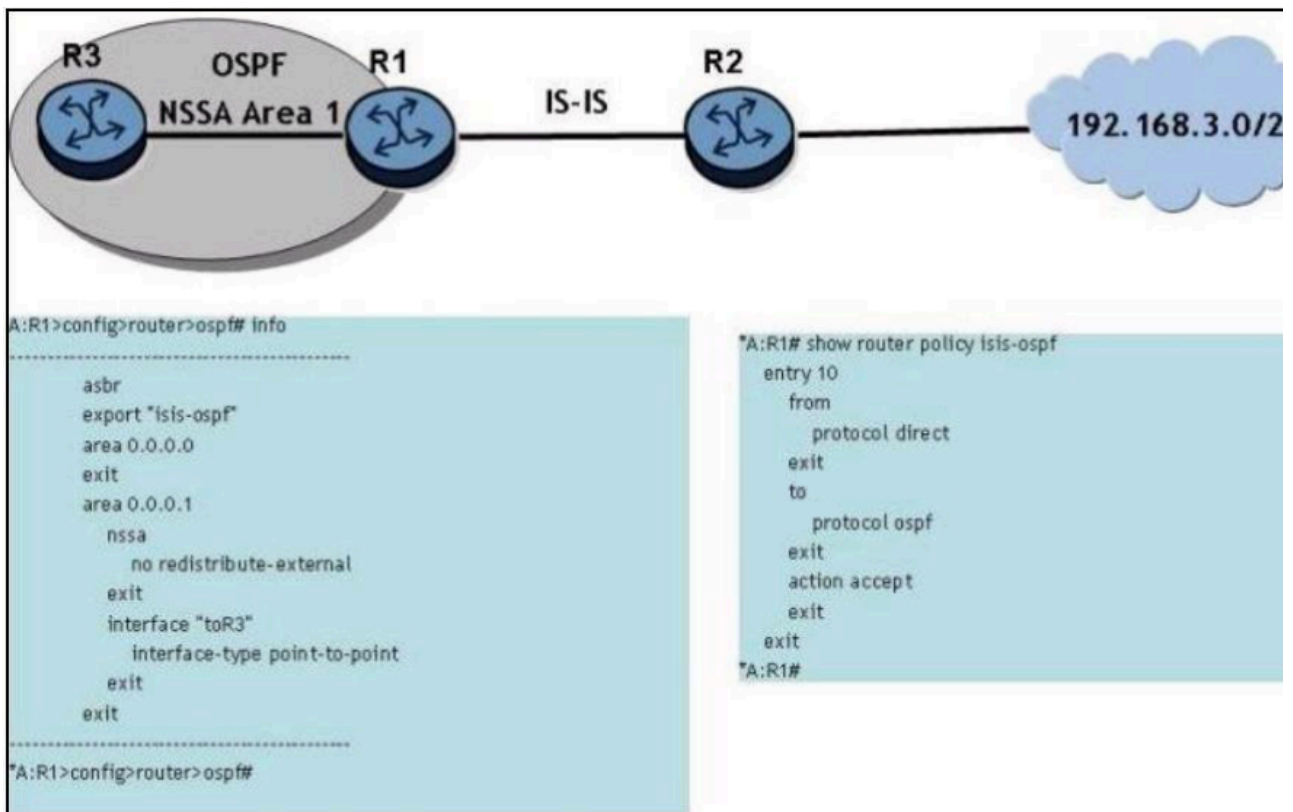
B. In multi-access networks, a DR and BDR are elected only if the subnet masks on the router interfaces are less than /30

C. In multi-access networks, a DR and BDR are elected. To ensure resiliency, both the DR and BDR send link-state advertisements describing the network.

D. In multi-access networks, a DR and BDR are elected. The DR sends link-state advertisements describing the network.

Answer(s): D

2. Click the exhibit button



The 192 168 3.0/24 network is learned on router R1 via IS-IS Given the OSPF configuration shown, and assuming that the OSPF adjacency between routers R1 and R3 is up, why is the 192 168.3.0/24 route not in router R3's route table? (Choose two)

A. The route policy should be applied as in import policy

B. The no-redistribute-external command is used on router R1

C. The route policy is incorrect. It should say "from protocol ISIS" rather than "from protocol direct".

D. It is not possible to be an ASBRA. The ASBR configuration should be removed.

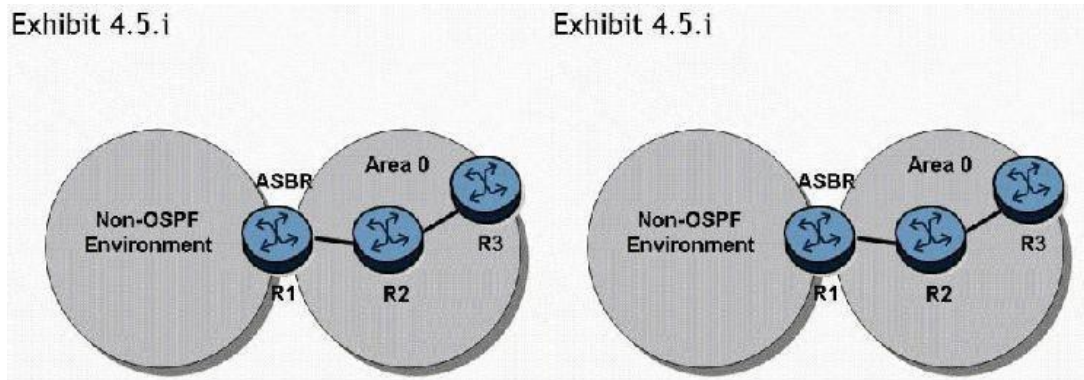
E. The interface between routers R1 and R3 needs to be in OSPF area 0 rather than OSPF area 1 because a backbone area must always exist.

**Answer(s):** B C

3. Click the exhibit button.

Exhibit 4.5.i

Exhibit 4.5.i



In the topology shown, router R1 is an ASBR configured to export external routes to OSPF. How many type 4 LSAs will be present in the network?

A. One.

B. One for each of the routers in area 0

C. One for each of the external routes exported by router R1.

D. Type 4 LSAs are not generated in this network topology.

**Answer(s):** D

4. When a router receives an IP packet, but does not find a match in the routing table for the destination IP address, what actions are performed by the router?

A. The packet is flooded out all router interfaces.

B. The packet is dropped and an ICMP unreachable message is sent back to the source.

C. The packet is silently discarded.

D. The packet is flooded out all interfaces and an ICMP unreachable message is sent.

**Answer(s):** B

5. How are LSPs acknowledged on IS-IS broadcast links?

A. The LSP is acknowledged by sending a PSNP PDU.

B. The LSP is acknowledged by sending an LSP PDU.

C. The LSP is acknowledged by sending a Hello PDU.

D. LSP are not acknowledged on broadcast links. The DIS sends periodic CSNPs to maintain database synchronization

**Answer(s):** D

---

6. Which of the following statements regarding the election of the designated router (DR) by OSPF routers are true? (Choose two)

A. The router with the lowest priority is the DR.

B. The router with the highest priority is the DR.

C. If priorities are the same, the DR is chosen based on the lowest RID.

D. If priorities are the same, the DR is chosen based on the highest RI

**Answer(s):** B D

---

7. What are the ways the RID can be created on an Alcatel-Lucent 7750 SR router? (Choose three)

A. From the last 32 bits of the chassis MAC address

B. From the first 32 bits of the chassis MAC address

C. The loopback IP address

D. By using the command "config router ospf rid X.X.X.X"

E. From the system IP address

F. From the highest interface IP address

**Answer(s):** A D E

---

8. Which of the following cannot be used as a matching criterion in route policy statements?

A. Source IP address

B. TCP source port

C. Prefix list

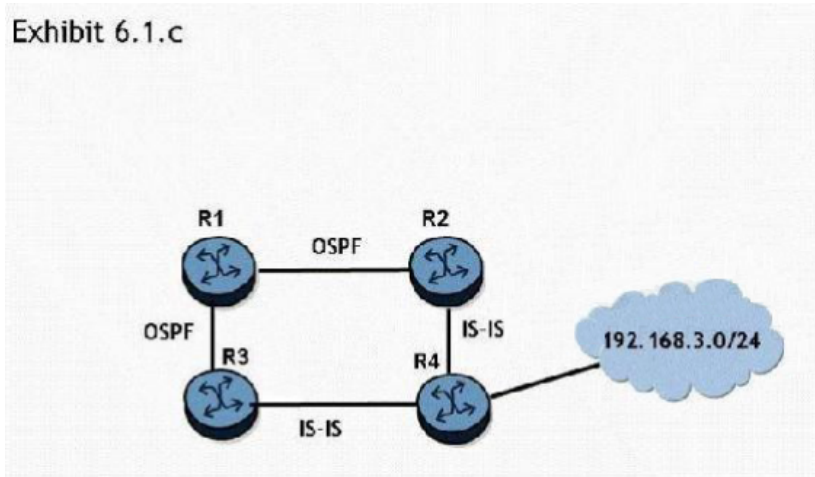
D. Protocol type

**Answer(s):** D

---

9. Click the exhibit button.

### Exhibit 6.1.c



If router R2 redistributes the IS-IS route to 192.168.3.0/24 into OSPF, router R3 preference of these two routes? Choose two answers.

- A. The OSPF internal preference
- B. The IS-IS Level 1 internal preference
- C. The IS-IS Level 2 internal preference
- D. The OSPF external preference
- E. The IS-IS Level 2 external preference
- F. The IS-IS Level 1 external preference

**Answer(s):** B D

---

10. Which of the following is an optional parameter when configuring IS-IS protocol on a router?

- A. Configure IS-IS interfaces
- B. Enable IS-IS
- C. Configure level capabilities
- D. Specify an area address

**Answer(s):** C

---

11. What must be configured on the Alcatel-Lucent 7750 SR for RIP to advertise locally attached links?

A. A policy statement within the router identifying what is to be advertised

B. Access-lists denoting what is to be advertised

C. Default metrics for each link

D. A group and neighbor statement for each peer

**Answer(s): A**

---

**12.** When an OSPF adjacency is stuck in the "ExchStart" state, what is the most likely cause?

A. The MTU does not match on both interfaces

B. OSPF is not enabled on one of the routers

C. The Router ID is the same on both routers

D. A OSPF Hello has not been received from the neighbor

**Answer(s): A**

---

**13.** When redistributing OSPF into RIP V2 what must be taken into consideration for the redistribution to take place?

A. The metric must be set accordingly for RIP

B. The subnet mask must be removed from the OSPF route

C. You must divide the cost of the OSPF route by three

D. The router must be configured as an ASBR

**Answer(s): A**

---

**14.** Which of the following statements describe the major features of OSPF? Choose two answers.

A. Fast reroute capability

B. Control traffic prioritization

C. Route redistribution

D. Traffic engineering extensions

E. Cut through forwarding

**Answer(s): C D**

---

15. From the list below select the statements that describe the behavior of link state information aging.  
(Choose 2)

- A. The age for newly created link state information is set to 0 for OSPF and 1200 for IS-IS
- B. The age for newly created link state information is set to 1200 for OSPF and 0 for IS-IS
- C. The age is incremented or decremented as it is flooded from router to router and as it is held in the topological database.
- D. The age is incremented or decremented only as it is held in the topological database and not as it is flooded router to router.

**Answer(s):** A C

---

16. What command could be used to verify proper configuration of a static route in an Alcatel- Lucent 7750 SR router?

- A. Show route-table
- B. Show router routing-table
- C. Show router route-table
- D. Show static

**Answer(s):** C

---

17. Which of the following statements regarding IS-IS Hello packets are true? Choose two answers.

- A. Different types of Hello packets are exchanged on point-to-point networks than on broadcast networks.
- B. L1/L2 Hello packets are exchanged on broadcast links.
- C. Different L1 and L2 Hello packets are exchanged on broadcast links.
- D. By default, Hello packets are sent every 5 seconds, and the timeout to declare a neighbor down is 15 seconds.

**Answer(s):** A C

---

18. What command will show the IS-IS neighbors, and their status on an Alcatel-Lucent 7750 SR?

- A. Show isis neighbors
- B. Show router isis neighbors
- C. Show router isis adjacency
- D. Show isis adjacency

Answer(s): C

---

19. What causes an adjacency to change from "Init" to "Two Way"?

- A. When a Link State Update is received in response to a Link State Request
- B. When a router receives a Hello packet from a neighbor that contains its router id in the neighbor list
- C. When OSPF neighbors exchange Database Descriptor packets
- D. When a Link State Acknowledgement is received in response to a Link State Update

Answer(s): B

---

20. The exhibit shows a route to 2001:DB8:1:200::/56 in the IPv6 route table. How did the route get into the route table?

```
*A:R1# show router route-table ipv6
=====
IPv6 Route Table (Router: Base)
=====
Dest Prefix                               Type   Proto   Age           Metric
  Next Hop[Interface Name]
-----
2001:DB8:1:100::1/128                     Local  Local   00h58m51s    0
  system
2001:DB8:1:200::/56                       Remote Static  00h00m20s    1
  FE80::225:BAFF:FE30:94E3-"toR2"
-----
No. of Routes: 2
=====
```

- A. Configure router ipv6 static-route 2001:DB8:1:200::/56 next-hop FE80::225:BAFF:FE30:94E3
- B. Configure router ipv6 static-route 2001:DB8:1:200::/56 next-hop FE80::225:BAFF:FE30:94E3-toR2
- C. Configure router static-route 2001:DB8:1:200::/56 next-hop FE80::225:BAFF:FE30:94E3
- D. Configure router static-route 2001:DB8:1:200::/56 next-hop FE80::225:BAFF:FE30:94E3-toR2
- E. The route was learned through a dynamic routing protocol.

Answer(s): D

---