

Nutanix Certified Master - Multicloud Infrastructure (NCM-MCI) 5.20

1. An administrator responsible for a VDI environment needs to investigate reports of slow logins. The administrator finds that increasing the number of vCPUs from 2 to 4 will reduce the login times. Production workloads are consuming 75% of the host CPU on the cluster. The administrator increases the vCPU count on all of the VDI VMs.

What are two impacts on the cluster? (Choose two.)

- A. Increase CPU utilization%
- B. Increase CPU ready%
- C. Increase memory utilization%
- D. Increasing CPU counts will decrease memory utilization

Answer(s): C D

2. An administrator is using Nutanix Move to migrate a Windows VM from ESXi to AHV. Automated guest preparation is failing with an error:

-Account has UAC enabled error

-The administrator is using the local built-in administrator account for the Windows VM Admin approval mode must remain enabled.

What should the administrator do to continue with the migration with Nutanix Move?

- A. Use a Domain Admin account for the Windows VM
- B. Reboot the Windows VM and try the migration again
- C. Follow manual VM preparation guidelines
- D. Place Windows VM in Maintenance Mode

Answer(s): C

3. A VM is exhibiting one or more of the following baseline values based on the past 30 days:

- CPU usage < 20%
- CPU ready time < 5%
- Memory usage < 50% (moderately) or < 20% (severely)
- Memory swap rate = 0 Kbps

Which type of VM is being described?

- A. Constrained VM
- B. Inactive VM
- C. Bully VM
- D. Over-Provisioned VM

Answer(s): D

4. An administrator receives reports that VDI desktop performance in an 8-node Nutanix VDI environment is poor. Opening applications takes between 1 and 2 minutes.

When investigating the issue, the following conditions are found:

- Cluster memory utilization: 80%
- Cluster SSD utilization: 70%
- Average VM CPU Wait Time: 11%
- CVM CPU utilization: 75%

Which action should be taken to improve VDI performance?

A. Increase the amount of SSD storage in the cluster.

B. Add memory to the nodes in the cluster.

C. Add CPU resources to the cluster.

D. Increase the number of vCPU cores allocated to the CVM.

Answer(s): C

5. An administrator has a custom backup application that requires a 2TB disk and runs in Windows.

Throughput is considerably lower than expected.

The application was installed on a VM with the following configuration:

- Four vCPUs with one core/vCPU
- 4GB of Memory
- One 50GB vDisk for the Windows installation
- One 2TB vDisk for the application

What is the recommended configuration change to improve throughput?

A. Increase the number of cores per vCPU

B. Increase the vCPUs assigned to the VM

C. Span the 2TB disk across four vDisks

D. Add 4GB of memory to the VM

Answer(s): C

6. A customer recently set up Async Replication between Site A and Site B. The customer wants to conduct a planned failover and clicks Activate on Site B.

The customer then runs the following command on Site A:

```
ncli pd deactivate_and_destroy_vms name=
```

What does this do to the customer environment?

A. VMs get deleted from Site B. and the protection domain is now Active.

B. VMs are powered off on Site A and must be manually powered on at Site

C. VMs get deleted from Site A and the protection domain is no longer active.

D. Customer must then manually power off VMs at Site A and power them on at Site B.

Answer(s): C

7. An administrator needs to forecast infrastructure requirements for a new program and its associated applications. Prior to the projected start of the new program, all existing applications will be decommissioned.

How should the administrator perform this task?

A. Check the Disregard Existing Workloads radio button in the Runway scenario.

B. Check the Disregard Existing Nodes radio button in the Runway scenario.

C. Add up the recovered workloads and manually remove from the Runway configuration.

D. Power down the workloads during a maintenance window and run the Capacity Runway.

Answer(s): A

8. A customer has a primary datacenter with 12 Nutanix blocks distributed across three racks. The customer wants to achieve the most resiliency possible. They also have a datacenter in a branch office that is 400 kilometers away from the primary datacenter.

Which two solutions should be used? (Choose two.)

A. Time Stream to a remote site

B. Async DR to a remote site

C. Rack awareness

D. Block awareness

Answer(s): B C

9. An administrator inherits a new Nutanix environment and logs in to a CVM to check the network configuration. The configuration is as follows:

```

nutanix@NTNX-16xxxxxxxxx5-A-CVM:xx.xx.xx.76:~$ manage_efs show_uplinks
Bridge: br0
  Bond: br0-up
    bond_mode: active-backup
    interfaces: eth3 eth2
    lacp: off
    lacp-fallback: True
    lacp_speed: slow
  Bridge: br1
    Bond: eth0
      bond_mode: active-backup
      interfaces: eth0
      lacp: off
      lacp-fallback: false
      lacp_speed: slow
  Bridge: br2
  Bridge: br5

nutanix@NTNX-16xxxxxxxxx5-A-CVM:xx.xx.xx.76:~$ manage_ovs show_interfaces
name  mode  link  speed
eth0   1000  True   1000
eth1   1000  True   1000
eth2   10000 True  10000
eth3   10000 True  10000
:      :
:      :
nutanix@NTNX-16xxxxxxxxx5-A-CVM:xx.xx.xx.76:~$

```

Which action should the administrator take to improve network performance?

- A. Configure VLAN tagging both on br0 and br1 and their physical interfaces.
- B. Add eth0 and eth1 to the br0-up bond
- C. Configure balance-sib or balance-tcp mode for br0-up if switch configuration allows
- D. Remove one 10 Gbs interface from br0-up to make sure all 10 Gbs can be used.

Answer(s): C

10. An administrator is concerned that Prism will be inaccessible if Active Directory is unable to process logins. Which method should the administrator use to access the cluster in the event of this type of outage?

- A. Manage the cluster by using the "nutanix" user on the Prism leader CVM
- B. Create and use an emergency local account on the cluster
- C. Deploy an Active Directory server locally on the cluster
- D. Manage the cluster remotely by downloading ncli to a remote workstation

Answer(s): B

11. A customer has NearSync configured. When the administrator tries to restore a snapshot from 3 minutes ago, it is not available. The snapshots are happening at 15-minute intervals instead of at the 5-minute configured interval. When the protection domain was initially set up, the snapshots were happening at the expected 5-minute interval.

What should the customer do to enable the snapshots to happen at the expected interval?

- A. Utilize Metro Availability to meet this requirement
- B. Change the protection domain to use Async DR
- C. Fix a connectivity issue because the protection domain reverted to Async
- D. Configure the protection domain to take snapshots on 15-minute intervals

Answer(s): C

12. An administrator deploys Exchange on a Nutanix cluster. The administrator creates two containers with RF2 configuration:

- One container for Exchange
- One container for the other VMs

The Exchange VM is experiencing I/O performance issues.

Which changes to Storage Optimization should be used on the Exchange container to enhance I/O performance?

- A. No data reduction
- B. Post process Deduplication only
- C. Inline compression and EC-X
- D. Inline compression and Deduplication

Answer(s): A

13. While creating an image placement policy on the organizations AOS 5.15-based Nutanix cluster, the administrator wants to ensure there are no restrictions on using the selected images on clusters outside of the identified set. What type of Policy Enforcement must the administrator choose?

- A. Soft
- B. Internal
- C. Hard
- D. External

Answer(s): A

14. An alert about RX errors on eth2 on a node is reported in the cluster. The administrator logs in to the CVM in question, checks the ping_* files in the data/logs/syststats folder, and notices intermittent ping loss. The node in question has the following network configuration:

```
nutanix@NTNX-16xxxxxxxxx5-A-CVM:xx.xx.xx.76:~$ manage_OVS show_uplinks
```

```
Bridge: br0  
Bond: br0-up  
bond_mode: active-backup  
interfaces: eth3 eth2  
lacp: off  
lacp-fallback: True  
lacp_speed: slow
```

```
Bridge: br1  
Bond: eth0  
bond_mode: active-backup  
[interfaces: eth0  
lacp: off  
lacp-fallback: True  
lacp_speed: slow
```

```
Bridge: br1  
Bond: eth0  
bond_mode: active-backup  
interfaces: eth0  
lacp: off  
lacp-fallback: false  
lacp_speed: slow
```

```
Bridge: br2
```

```
Bridge: br5
```

```
nutanix@NTNX-16xxxxxxxxx5-A-CVM:xx.xx.xx.76:~$ manage_ovs show_interfaces
```

```
name mode link speed  
eth0 1000 True 1000  
eth1 1000 True 1000  
eth2 10000 True 10000  
eth3 10000 True 10000
```

```
nutanix@NTNX-16xxxxxxxxx5-A-CVM:xx.xx.xx.76:~$
```

Which action should be used to troubleshoot without disrupting the VMs running on this node?

- A. Replace the cable from eth2 to the switch
- B. Remove eth3 from br0-up and monitor for new alerts
- C. Check the port on the switch side for any errors
- D. Enable balance-s1b on br0-up and monitor if a problem persists

Answer(s): C

15. An administrator protected a DB VM running on a Nutanix cluster with NearSync Replication, which schedules to repeat every 15 minutes □ to a second site. The daily change rate is low. During nightly backups, the replication window is missed due to write volume. Which two options describe the expected behavior? (Choose two.)

- A. NearSync stops working and fails over to the remote site.
- B. Protection Domain transitions back to the hourly schedule.
- C. The Administrator needs to re-enable it manually.
- D. The system continuously tries to get to the NearSync schedule.

Answer(s): A D

16. An administrator is deploying a three-tier application on a Nutanix Enterprise Cloud consisting of web, application, and database VMs. Traffic between the servers must be limited to specific services/ports. There is an application layer firewall VM deployed on one host in the cluster. In which way should the administrator meet this requirement?

A. Create a network for each type of VM, and use policy-based routing to control the traffic flow

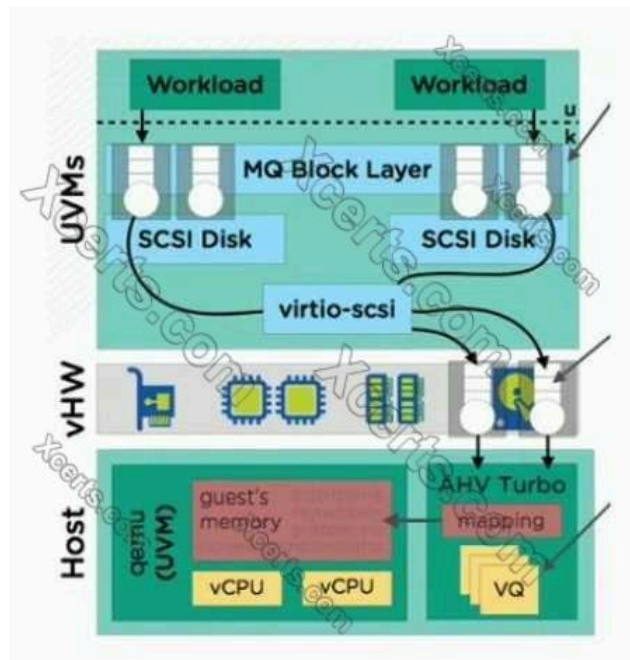
B. Configure a security policy and service chain redirecting the server traffic through the firewall

C. Separate the web, application and database VMs on to dedicated VLANs

D. Categorize the VMs in Prism Central and utilize Flow to set a security policy

Answer(s): D

17. Refer to the exhibit.



An administrator has an existing cluster and needs to improve performance using AHV Turbo. Which two items are required to achieve even greater performance? (Choose two.)

A. Workloads are multi-threaded.

B. VMs have one vCPU configured.

C. VMs have multi-queue disabled.

D. VMs have more than one vCPU.

Answer(s): A D

18. An administrator is performing a set of routine checks and notes that Prism Central is running with 4 vCPUs and 21 GB RAM. The organizations environment is based on two Nutanix clusters with 170 VMs plus a Legacy vSphere infrastructure. No manual changes have been done on Prism Central VM. Which configuration justifies the current Prism Central configuration?

A. Nutanix Move is running on Prism Central to import VMs from the Legacy Cluster.

- B. Prism Central was installed for Large Deployment environments.
- C. Prism Central is running on the legacy duster and requires more RAM.
- D. Nutanix Leap and Nutanix Flow have been enabled on Prism Central

Answer(s): D

19. An administrator finds that home shares cannot be configured in a new Files 3.5 deployment. Why is this happening?

- A. NFS default access is set to Read Only.
- B. Multi-protocol access is not configured.
- C. Access Based Enumeration is not enabled.
- D. The system is deployed as a single FSVM.

Answer(s): D

20. Refer to the exhibit.



A Microsoft SQL 2016 deployment is shown in the exhibit. The administrator receives user reports that database queries take too long to return.

Which optimization should be made to this configuration to improve performance?

- A. Combine both of the OS and SQL Binaries disks
- B. Add a second SCSI controller for the Database.
- C. TempDB, and Logs disk Separate the Database. TempDB, and Logs onto their own disks
- D. Configure the VM to use a PCI disk controller

Answer(s): C
