

Enterprise Routing and Switching, Specialist

1. What are two benefits of 802.3ad link aggregation? (Choose two.)

- A. It increases bandwidth.
- B. It ensures symmetrical paths.
- C. It simplifies interface configuration.
- D. It creates physical layer redundancy.

Answer(s): A D

2. Which statement is true about IP-IP tunnels?

- A. Intermediate devices must have a route to the destination address of the traffic being tunneled.
- B. Intermediate devices must have a route to both the tunnel source address and the tunnel destination address.
- C. Intermediate devices must have a route to the tunnel destination address but do not require a route to the tunnel source address.
- D. Intermediate devices must have a route to the tunnel source address but do not require a route to the tunnel destination address.

Answer(s): C

3. You have a conference room with an open network port that is used by employees to connect to the network. You are concerned about rogue switches being connected to this port. Which two features should you enable on your switch to limit access to this port? (Choose two.)

A. DHCP snooping

B. dynamic ARP inspection

C. MAC limiting

D. 802.1X

Answer(s): A B

4. Which statement is correct about IS-IS link state PDUs?

A. They are used to maintain link-state database synchronization.

B. They are used to establish adjacencies.

C. They are used to build the link-state database.

D. They are used to determine whether the neighbors are Level 1 or Level 2.

Answer(s): C

5. Which Junos feature allows you to combine multiple interfaces into a single bundle?

A. VRRP

B. Virtual Chassis

C. LAG

D. NSB

Answer(s): C

6. Which protocol prevents loops and calculates the best path through a switched network that contains redundant paths?

A. VRRP

B. STP

C. DHCP

D. IS-IS

Answer(s): B

7. Which two characteristics are true for EBGP peerings? (Choose two.)

A. EBGP peers must be directly connected.

B. EBGP connects peer devices in the same autonomous system.

C. EBGP connects peer devices in two different autonomous systems.

D. EBGP peers can be connected over a multihop connection.

Answer(s): C D

8. What are two advantages of a point-to-point OSPF adjacency? (Choose two.)

A. Only a DR is elected.

B. No type 1 LSAs are generated.

C. No type 2 LSAs are generated.

D. There is quicker neighbor establishment.

Answer(s): C D

9. Which two port security features use the DHCP snooping database for additional port security? (Choose two.)

A. dynamic ARP inspection

B. MACsec

C. IP Source Guard

D. MAC learning

Answer(s): A C

10. You want to configure Layer 2 services over an IP-based tunneling mechanism between two sites. Which configuration statement is required to accomplish this task?

A. set interfaces gr-0/0/0.0 family bridge

B. set interfaces ip-0/0/0.0 encapsulation vlan-bridge

C. set interfaces gr-0/0/0.0 encapsulation vlan-bridge

D. set interfaces ip-0/0/0.0 family bridge

Answer(s): A

11. Which two routes belong to the 172.16.0.0/22 aggregate route? (Choose two.)

A. 172.16.4.0/24

B. 172.16.0.0/24

C. 172.16.5.0/24

D. 172.16.3.0/24

Answer(s): B D

12. Which two statements are correct regarding the root bridge election process when using STP? (Choose two.)

A. A lower system MAC address is preferred.

B. A higher bridge priority is preferred.

C. A lower bridge priority is preferred.

D. A higher system MAC address is preferred.

Answer(s): A C

13. What are two reasons for configuring more than one VLAN on a switch? (Choose two.)

A. A group of clients requires that security be applied to traffic entering or exiting the group's devices.

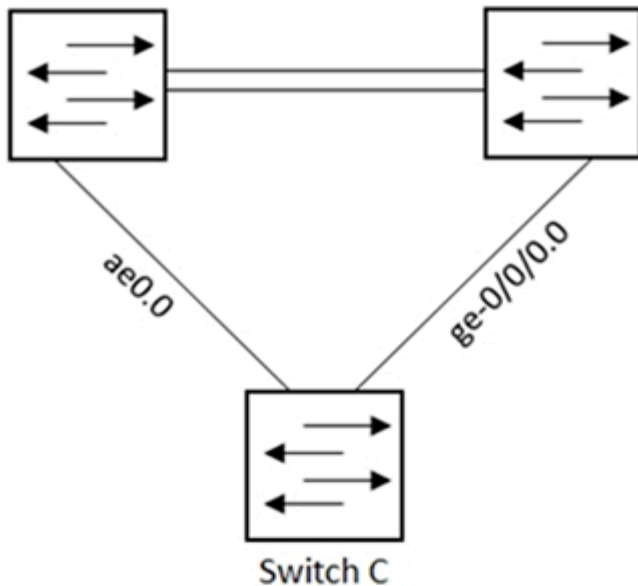
B. A group of devices must forward traffic across a WAN.

C. A group of devices are connected to the same Layer 3 network.

D. A group of clients requires that the group's devices receive less broadcast traffic than they are currently receiving.

Answer(s): A D

14. Referring to the exhibit, which configuration will force traffic to always use ae0.0 as long as it is active?



A.

```

user@switchC# show switch-options
redundant-trunk-group {
  group rtg1 {
    interface ge-0/0/0.0;
    interface ae0.0 {
      minimum-links 2;
    }
  }
}

```

B.

```

user@switchC# show switch-options
redundant-trunk-group {
  group rtg1 {
    interface ge-0/0/0.0 {
      priority 200;
    }
    interface ae0.0 {
      priority 254;
    }
  }
}

```

C.

```

user@switchC# show switch-options
redundant-trunk-group {
  group rtg1 {
    interface ge-0/0/0.0;
    interface ae0.0 {
      primary;
    }
  }
}

```

D.

```

user@switchC# show switch-options
redundant-trunk-group {
  group rtg1 {
    interface ge-0/0/0.0 {
      track f
    }
  }
}

```

```
        }
        interface ae0.0;
    }
}
interface ae0.0;
}
```

A. Option A

B. Option B

C. Option C

D. Option D

Answer(s): C

15. What are two characteristics of OSPF ABRs? (Choose two.)

A. ABRs transmit routing information between the backbone and other areas.

B. ABRs cannot be part of the backbone and another area at the same time.

C. ABRs inject routing information from outside the OSPF domain.

D. ABRs link two OSPF areas.

Answer(s): A D

16. Which statement is correct about trunk ports?

A. Trunk ports must have an IRB assigned to accept VLAN tagged traffic.

B. By default, trunk ports accept only VLAN tagged traffic.

C. By default, a trunk port can have only a single VLAN assigned.

D. trunk ports must have an IRB assigned to accept untagged traffic.

Answer(s): B

17. Your network is configured with dynamic ARP inspection (DAI) using the default parameters for all the DHCP and ARP related configurations. You just added a new device connected to a trunk port and configured it to obtain an IP address using DHCP.

Which two statements are correct in this scenario? (Choose two.)

- A. The DHCP server assigns the IP addressing information to the new device.
- B. DAI validates the ARP packets for the new device against the DHCP snooping database.
- C. The ARP request and response packets for the new device will bypass DAI.
- D. DHCP snooping adds the DHCP assigned IP address for the new device to its database.

Answer(s): A B

18. Which two requirements must be satisfied before graceful restart will work? (Choose two.)

- A. a stable network topology
- B. a neighbor configured with BFD
- C. a neighbor configured with graceful restart
- D. a neighbor with an uptime greater than an hour

Answer(s): A C

19. You configured a GRE tunnel that traverses a path using default MTU settings. You want to ensure that packets are not dropped or fragmented. In this scenario, what is the maximum packet size that would traverse the GRE tunnel?

A. 1500

B. 1400

C. 1524

D. 1476

Answer(s): D

20. You have configured the router with an IS-IS interface metric of 2048. However, the IS-IS interface metric of 63 is being applied for the interface of this router.

What must you do to enable the larger metric value?

A. Enable wide metrics.

B. Disable narrow metrics.

C. Restart the IS-IS protocol.

D. Enable level 1 IS-IS routing.

Answer(s): A
